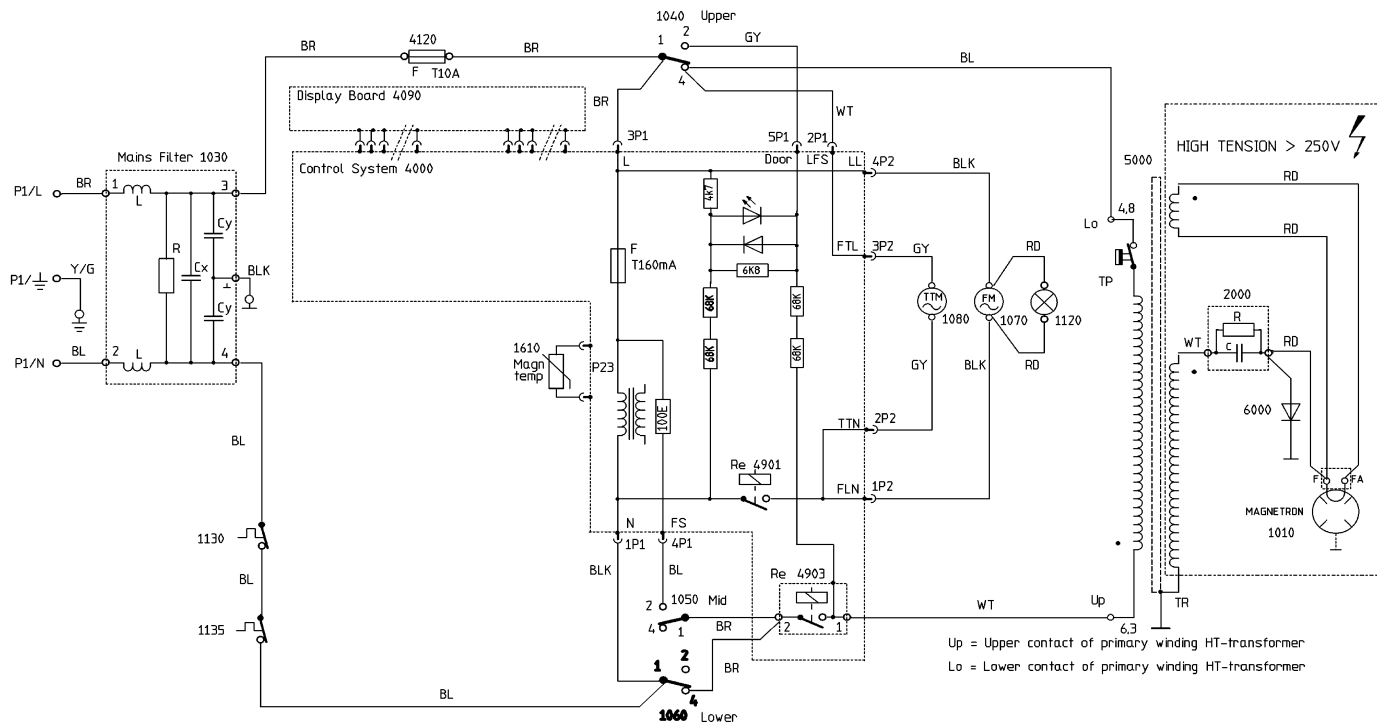


# Anschlußplan

## Electrical diagram



Up = Upper contact of primary winding HT-transformer  
 Lo = Lower contact of primary winding HT-transformer

COLOUR CODE	FARBKODE	CODE DE COULEUR	
YW	YELLOW	GELB	JAUNE
WT	WHITE	WEISS	BLANC
RD	RED	ROT	ROUGE
GY	GREY	GRAU	GRIS
BR	BROWN	BRUN	BRUN
BLK	BLACK	SCHWARZ	NOIR
BL	BLUE	BLAU	BLEU
Y/G	YELLOW-GREEN	GELB-GRUN	JAUNE-VERT

1040=Secondary doorswitch  
 1050=Monitor doorswitch  
 1060=Primary doorswitch

Oven in off position  
 with door closed  
 Herd abgeschaltet  
 Tur geschlossen  
 Four debranche  
 porte ferme

# Anschlußplan

Electrical diagram

